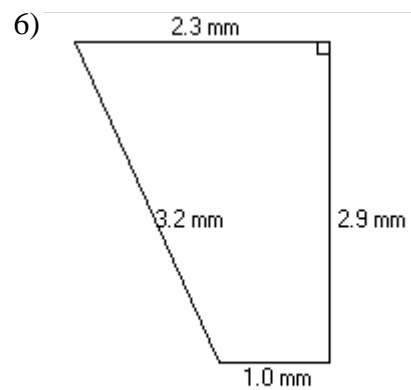
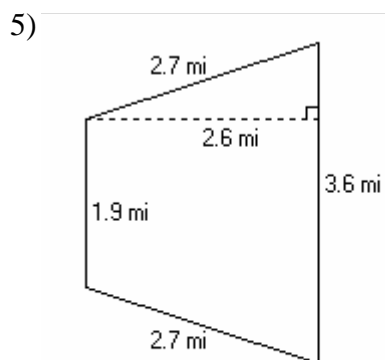
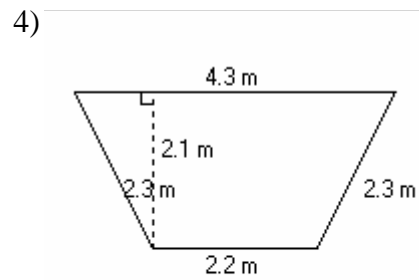
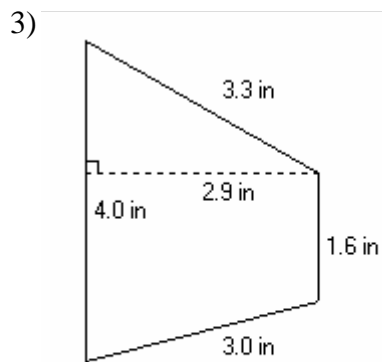
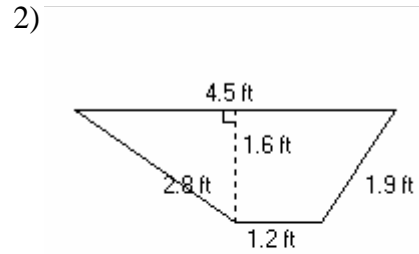
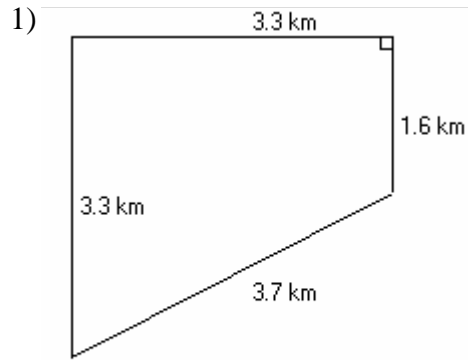


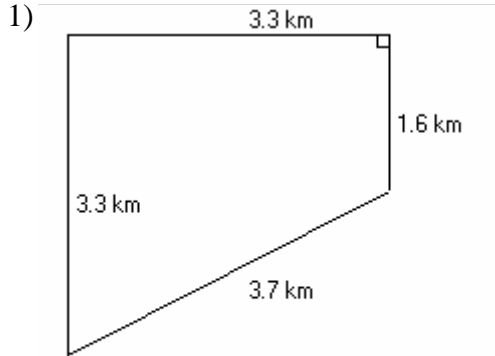
Area and Perimeter of Trapezoids

Instructions: Find the area and perimeter of each trapezoid.



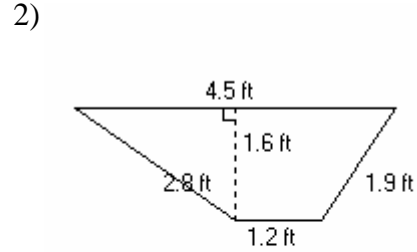
Area and Perimeter of Trapezoids Answer

Instructions: Find the area and perimeter of each trapezoid.



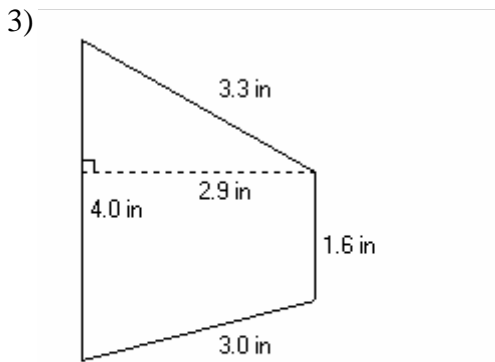
$$A = 0.5(3.3+1.6) \times 3.3 = 8.1 \text{ km}^2$$

$$P = 3.3+1.6+3.3+3.7 = 11.9 \text{ km}$$



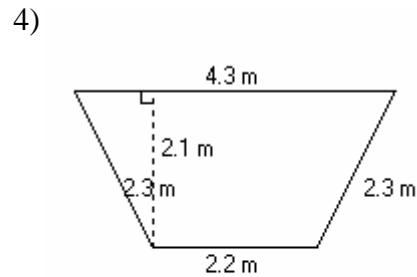
$$A = 0.5(4.5+1.2) \times 1.6 = 4.6 \text{ ft}^2$$

$$P = 4.5+1.2+2.8+1.9 = 10.4 \text{ ft}$$



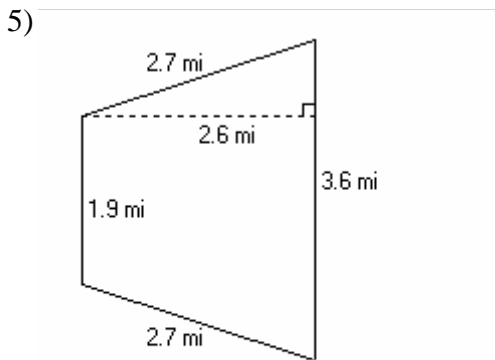
$$A = 0.5(4.0+1.6) \times 2.9 = 8.1 \text{ in}^2$$

$$P = 4.0+1.6+3.3+3.0 = 11.9 \text{ in}$$



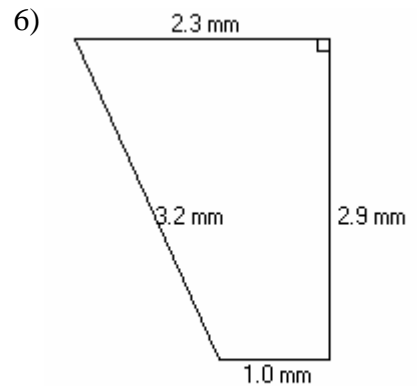
$$A = 0.5(4.3+2.2) \times 2.1 = 6.8 \text{ m}^2$$

$$P = 4.3+2.2+2.3+2.3 = 11.1 \text{ m}$$



$$A = 0.5(1.9+3.6) \times 2.6 = 7.1 \text{ mi}^2$$

$$P = 1.9+3.6+2.7+2.7 = 10.9 \text{ mi}$$



$$A = 0.5(2.3+1.0) \times 2.9 = 4.8 \text{ mm}^2$$

$$P = 2.3+1.0+3.2+2.9 = 9.4 \text{ mm}$$